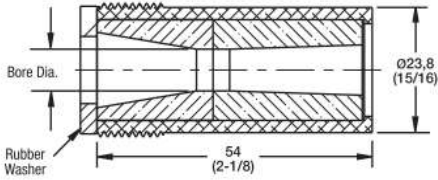

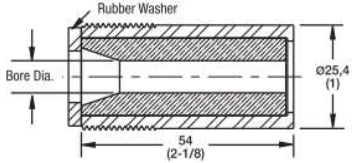

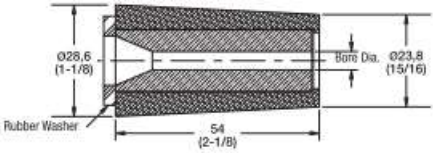

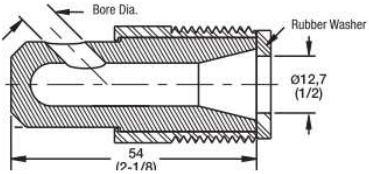

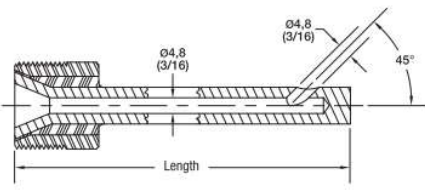



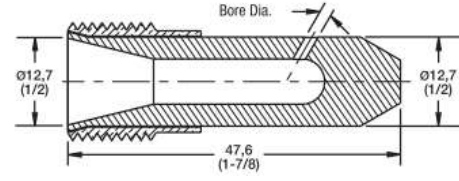

PRESSURE BLAST CABINET NOZZLES

<p>SHORT VENTURI</p> <p><i>Widest possible blast at distances under 12"</i></p>																								
<p>Thread 3/4" 1 NSPT Steel Jacket Steel Thread</p>	<table border="1"> <thead> <tr> <th>Bore Size</th> <th>Ceramic</th> <th>Tungsten</th> <th>Boron</th> </tr> </thead> <tbody> <tr> <td>3/16"</td> <td>NA</td> <td></td> <td>B3S2-GV</td> </tr> <tr> <td>1/4"</td> <td>NA</td> <td></td> <td>B4S2-GV</td> </tr> <tr> <td>5/16"</td> <td>NA</td> <td></td> <td>B5S2-GV</td> </tr> <tr> <td>3/8"</td> <td>NA</td> <td></td> <td>B6S2-GV</td> </tr> </tbody> </table>	Bore Size	Ceramic	Tungsten	Boron	3/16"	NA		B3S2-GV	1/4"	NA		B4S2-GV	5/16"	NA		B5S2-GV	3/8"	NA		B6S2-GV			
Bore Size	Ceramic	Tungsten	Boron																					
3/16"	NA		B3S2-GV																					
1/4"	NA		B4S2-GV																					
5/16"	NA		B5S2-GV																					
3/8"	NA		B6S2-GV																					
<p>SHORT STRAIGHT BORE</p>																								
<p>Thread 3/4" 1 NSPT Steel Jacket Steel Thread</p>	<table border="1"> <thead> <tr> <th>Bore Size</th> <th>Ceramic</th> <th>Tungsten</th> <th>Boron</th> </tr> </thead> <tbody> <tr> <td>3/16"</td> <td>NA</td> <td>T106-3</td> <td>B3S2-G</td> </tr> <tr> <td>1/4"</td> <td>NA</td> <td>T106-4</td> <td>B4S2-G</td> </tr> <tr> <td>5/16"</td> <td>NA</td> <td>T106-5</td> <td>B5S2-G</td> </tr> <tr> <td>3/8"</td> <td>NA</td> <td>T106-6</td> <td>B6S2-G</td> </tr> </tbody> </table>	Bore Size	Ceramic	Tungsten	Boron	3/16"	NA	T106-3	B3S2-G	1/4"	NA	T106-4	B4S2-G	5/16"	NA	T106-5	B5S2-G	3/8"	NA	T106-6	B6S2-G			
Bore Size	Ceramic	Tungsten	Boron																					
3/16"	NA	T106-3	B3S2-G																					
1/4"	NA	T106-4	B4S2-G																					
5/16"	NA	T106-5	B5S2-G																					
3/8"	NA	T106-6	B6S2-G																					
<p>TAPERED STRAIGHT BORE</p>																								
<p>Ceramic 4" long Boron & Tungsten Aluminum Jacket</p>	<table border="1"> <thead> <tr> <th>Bore Size</th> <th>Ceramic</th> <th>Tungsten</th> <th>Boron</th> </tr> </thead> <tbody> <tr> <td>1/8"</td> <td>UDM100005</td> <td>T109-2</td> <td>B2S2-H</td> </tr> <tr> <td>3/16"</td> <td>UDM100015</td> <td>T109-3</td> <td>B3S2-H</td> </tr> <tr> <td>1/4"</td> <td>UDM100020</td> <td>T109-4</td> <td>B4S2-H</td> </tr> <tr> <td>5/16"</td> <td>UDM100025</td> <td>T109-5</td> <td>B5S2-H</td> </tr> </tbody> </table>	Bore Size	Ceramic	Tungsten	Boron	1/8"	UDM100005	T109-2	B2S2-H	3/16"	UDM100015	T109-3	B3S2-H	1/4"	UDM100020	T109-4	B4S2-H	5/16"	UDM100025	T109-5	B5S2-H			
Bore Size	Ceramic	Tungsten	Boron																					
1/8"	UDM100005	T109-2	B2S2-H																					
3/16"	UDM100015	T109-3	B3S2-H																					
1/4"	UDM100020	T109-4	B4S2-H																					
5/16"	UDM100025	T109-5	B5S2-H																					
<p>ANGLE NOZZLE</p> <p><i>Blast ID's and difficult to reach areas</i></p>																								
<p>Thread 3/4" 14 NSPT</p>	<table border="1"> <thead> <tr> <th>Bore Size</th> <th>Ceramic</th> <th>Tungsten</th> <th>Rotec</th> </tr> </thead> <tbody> <tr> <td>3/16"</td> <td>NA</td> <td>T245-3</td> <td>R245-3</td> </tr> </tbody> </table>	Bore Size	Ceramic	Tungsten	Rotec	3/16"	NA	T245-3	R245-3															
Bore Size	Ceramic	Tungsten	Rotec																					
3/16"	NA	T245-3	R245-3																					

<i>Steel Thread Single, double or triple outlet</i>	1/8" x 1 hole	NA	T245-2	NA
	1/8" x 2 hole	NA	T245-22	NA
	1/8" x 3 hole	NA	T245-23	NA

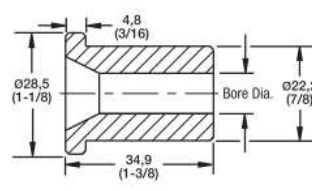

HOZZLE ANGLE NOZZLE <i>Blast ID's and difficult to reach areas</i>				
--	---	--	---	--


<i>Thread 3/4" 14 NSPT 7/16" OD Insert Steel Thread</i>	Bore Size	Ceramic	Tungsten	Boron
	3/16" x 4" long	NA	B2008477	NA
	3/16" x 8" long	NA	B2008479	NA
	3/16" x 10" long	NA	B1900007	NA

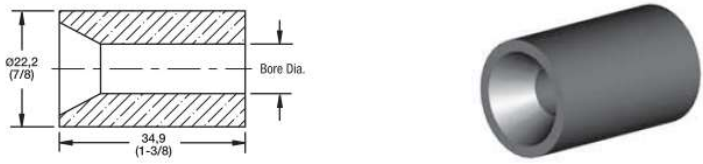

ANGLE NOZZLE <i>Blast ID's and difficult to reach areas</i>				
---	---	--	--	--

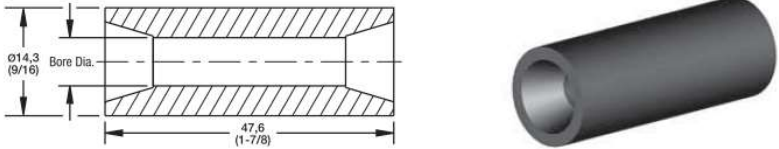

<i>Thread 3/8" 18 NPSM Steel Thread Single, double or triple outlet</i>	Bore Size	Ceramic	Tungsten	Boron
	3/16"	NA	T145-3	NA
	1/8" x 2 hole	NA	T145-22	NA
	1/8" x 3 hole	NA	T145-23	NA
1/8" x 4 hole	NA	T145-24	NA	NA

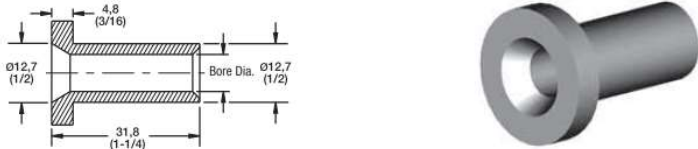

SUCTION BLAST CABINET NOZZLES

<i>Manufactured for; Empire Canablast</i>				
--	---	--	---	--

	Bore Size	Ceramic	Tungsten	Boron
	1/4"	505421	501331	502071
	5/16"	502431	501341	502081
7/16"	502441	501351	502091	

<p><i>Manufactured for;</i></p> <p><i>BNP Zero Modublast Blast-It-All</i></p>				
	Bore Size	Ceramic	Tungsten	Boron
$\frac{1}{4}$ "	CL166-4	TL166-4	B4S-87	
$\frac{5}{16}$ "	UFO100237	TL166-5	UFO100240	
$\frac{3}{8}$ "	UFO100236	TL166-6	B6S-87	

<p><i>Manufactured for;</i></p> <p><i>Trinco Econoline</i></p>				
	Bore Size	Ceramic	Tungsten	Boron
$\frac{1}{4}$ " x $\frac{9}{16}$ " OD	<i>NA</i>	TL171-4	B4S-60	
$\frac{5}{16}$ " x $\frac{3}{4}$ " OD	<i>NA</i>	TL172-5	B5L-75	
$\frac{7}{16}$ " x $\frac{3}{4}$ " OD	<i>NA</i>	TL172-7	B6L-75	

<p><i>Manufactured for;</i></p> <p><i>Empire Canablast</i></p>				
	Bore Size	Ceramic	Tungsten	Boron
$\frac{1}{4}$ "	502661	501311	502101	
$\frac{5}{16}$ "	502701	501321	B5S-87	