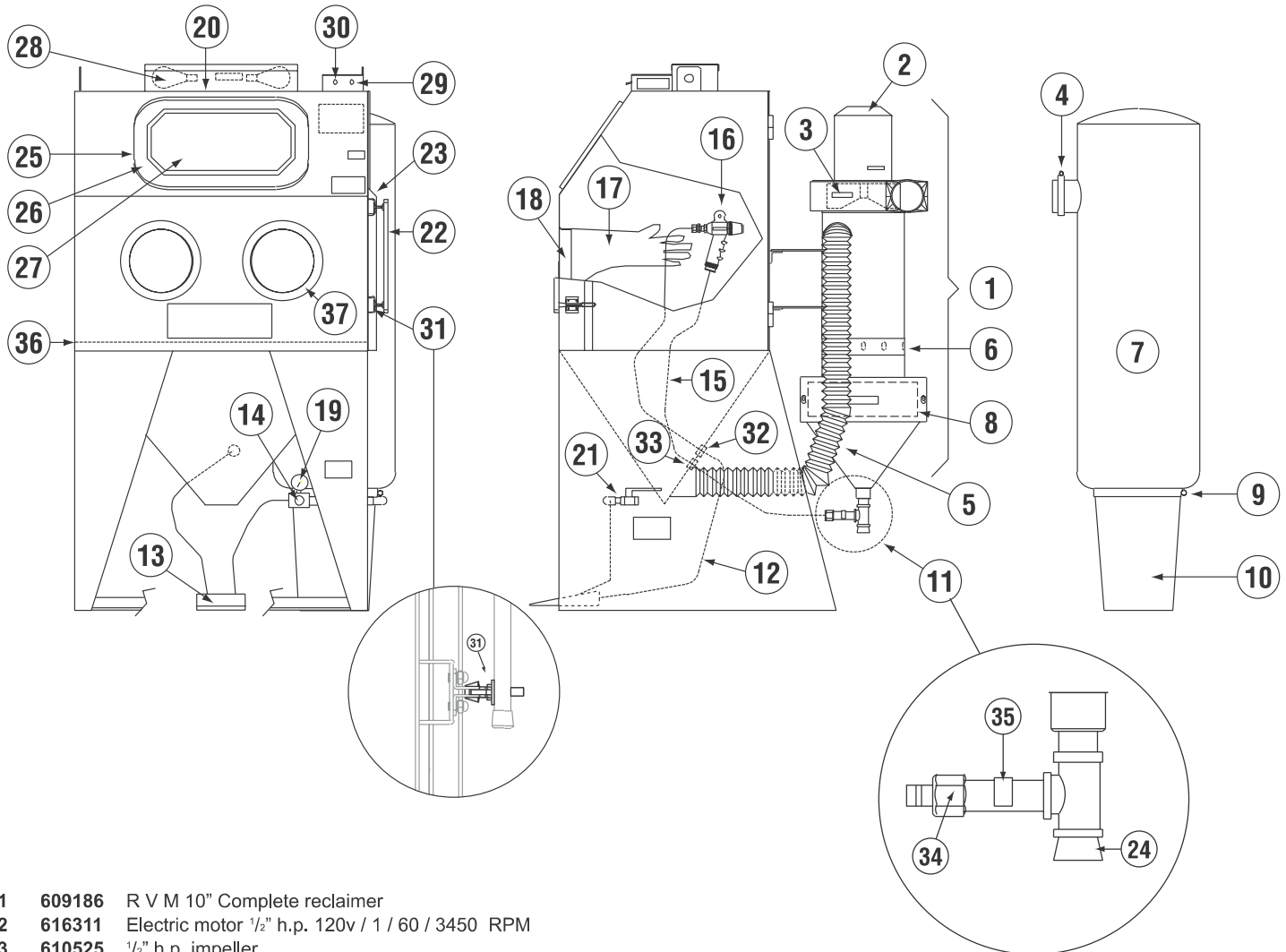
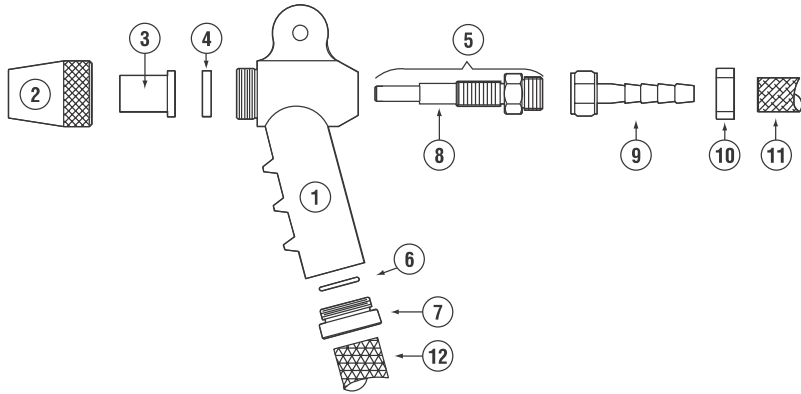


BLAST CABINET ECAB-3 -5 -7 MODELS



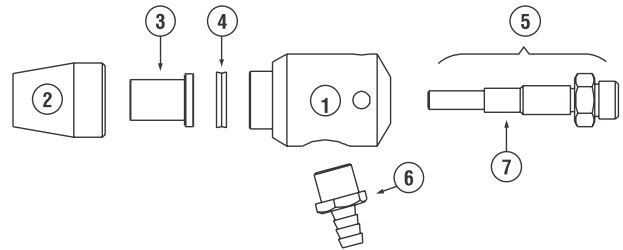
- | | | | | | |
|----|--------|--|----|--------|--|
| 1 | 609186 | R V M 10" Complete reclaimer | 22 | 610288 | CANABLAST® standard door lock |
| 2 | 616311 | Electric motor 1/2" h.p. 120v / 1 / 60 / 3450 RPM | 23 | 618321 | 1/4" x 1" rubber door gasket (sold per foot) |
| 3 | 610525 | 1/2" h.p. impeller | 24 | 618226 | Rubber plug |
| 4 | 624117 | T Clamp #64 (4") | 25 | 610207 | Window's rubber gasket |
| 5 | 606161 | Suction hose 3 1/2" ± (sold per foot) | 26 | 610205 | 14" X 22" laminated safety window |
| 6 | 618334 | SBR rubber 1/8" X 2" wide | 27 | 613026 | RPW 26 self-adhesive protective acetate |
| 7 | 601315 | DB-13 Dust bag | 28 | 617114 | cabinet light |
| 8 | 618318 | Drawer seal (sold per foot) | 29 | 617014 | On/Off switch |
| 9 | 624137 | T Clamp T-188 11 1/4" (sold per unit) | 30 | 616934 | AGC 2 amp. fuse 250 Volts |
| 10 | 601310 | 23 liter white plastic dust pail | | 616907 | Fuse holder |
| 11 | 608010 | Complete AR-3/4" regulator | 31 | 910223 | Toggle stem |
| 12 | 606104 | 1/2" ± PVC compressed air hose (sold per foot) | 32 | 618126 | Grommet |
| 13 | 610270 | 2 way pneumatic pedal | 33 | 618127 | Grommet |
| | 608604 | Pedal valve | 34 | 632960 | PL adaptor 3/4" FPT x 1/2" B |
| 14 | 608022 | Pressure regulator | 35 | 608011 | AR 3/4" Clip |
| 15 | 606148 | Multi-purpose abrasive conveying hose 1/2" ± (sold per foot) | 36 | 610455 | E CAB 3 26" X 36" expanded steel floor |
| 16 | 610120 | G-5 CN2-5 complete blast gun (standard w/3/16" ± nozzle orifice) | 36 | 610457 | E CAB 5 28" X 44" expanded steel floor |
| 17 | 603212 | E3 nylon sleeve gloves, 8" ID x 30" long (sold in pairs only) | 36 | 610459 | E CAB 7 36" X 48" expanded steel floor |
| 18 | 624128 | T-Clamp T-128 8" (sold per unit) | 37 | 610229 | 8" Ø glove flange |
| 19 | 611022 | 1/4" pressure gauge | | | |
| 20 | 610202 | 4 1/2" x 18" protective glass for halogen flood lights | | | |
| | 613029 | Protective acetate for halogen flood lights | | | |
| 21 | 608102 | 1/2" female ball valve for compressed air inlet | | | |

G5 BLAST GUN FOR SUCTION CABINETS



- 1 **610119** G-5 blast gun body only
- 2 **607037** NA-G5 / SH5 adaptor
- 3 **605005** CN2-5, standard $\frac{5}{16}$ " \pm ceramic nozzle for G5-SH5 blast guns
- 4 **618017** NW-2 rubber washer
- 5 **610117** Complete G5 / SH5 standard $\frac{5}{32}$ " \pm air jet
- 6 **618110** G5 "O" ring
- 7 **607038** G5 / SH5 hose adaptor
- 8 **618219** Rubber protector
- 9 **632771** $\frac{1}{2}$ " brass female swivel hose barb
- 10 **624015** $\frac{3}{4}$ " "O" clamp
- 11 **606104** $\frac{1}{2}$ " PCV compressed air hose (sold per foot)
- 12 **606148** $\frac{1}{2}$ " multi purpose abrasive conveying hose (sold per foot)

SH-5 GUN FOR BLAST CABINET



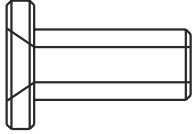
- 1 **610134** SH-5 blast gun body only
- 2 **607037** NA-G5 / SH5 adaptor
- 3 **605005** CN2-5, standard $\frac{5}{16}$ " \pm ceramic nozzle for G5-SH5 blast guns
- 4 **618017** NW-2 rubber washer
- 5 **610117** Complete G5 / SH5 standard $\frac{5}{32}$ " \pm air jet
- 6 **632760** $\frac{1}{2}$ " stem brass hose barb
- 7 **618219** Rubber protector

PROPER AIR JET/NOZZLE COMBINATIONS

G5 complete blast gun (pre-assembled*)		Nozzle			Air Jet (Complete)	Orifices \pm	
G5	SH-5	Nozzle	Type	Orifice			Code
610121	610135	Ceramic	CN2-4	1/4"	605004	610116	1/8"
610120	610136	Ceramic (Standard)	CN2-5	5/16"	605005	610117	5/32"
610166	610144	Ceramic	CN2-6	3/8"	605015	610109	3/16"
610122	610137	Ceramic	CN2-7	7/16"	605006	610118	7/32"
610123	610138	Tungsten	TN2-4	1/4"	605007	610116	1/8"
610124	610139	Tungsten	TN2-5	5/16"	605008	610117	5/32"
610167	610145	Tungsten	TN2-6	3/8"	605018	610109	3/16"
610125	610140	Tungsten	TN2-7	7/16"	605009	610118	7/32"
610126	610141	Boron carbide	BN2-4	1/4"	605010	610116	1/8"
610127	610142	Boron carbide	BN2-5	5/16"	605011	610117	5/32"
610168	610146	Boron carbide	BN2-6	3/8"	605021	610109	3/16"
610128	610143	Boron carbide	BN2-7	7/16"	605012	610118	7/32"

*Parts 1 to 8 included in pre-assembled gun.

NOZZLES FOR BLAST CABINET – SUCTION



CN1- / TN1-

	MODEL	ORIFICE	LENGTH
CERAMIC			
605000	CN1-4	1/4" Ø	1 1/4"
605001	CN1-5	5/16" Ø	1 1/4"
TUNGSTEN CARBIDE			
605002	TN1-4	1/4" Ø	1 1/4"
605003	TN1-5	5/16" Ø	1 1/4"

Flanged end nozzle, straight orifice for G-15 guns



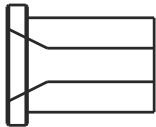
DC1 / BC1

TUNGSTEN CARBIDE			
605358	DC1-2	1/8" Ø	1 3/4"
605359	DC1-3	3/16" Ø	1 3/4"
605360	DC1-4	1/4" Ø	1 3/4"
605361	DC1-5	5/16" Ø	1 3/4"

Threaded nozzle 3/4" – 14 N.P.S., straight orifice, use with fitting NH-1/2" only

BORON CARBIDE			
605414	BC1-2	1/4" Ø	1 3/4"
605415	BC1-3	3/16" Ø	1 3/4"
605416	BC1-4	1/4" Ø	1 3/4"
605417	BC1-5	3/16" Ø	1 3/4"

Threaded nozzle 3/4" – 14 N.P.S., straight orifice, use with fitting NH-1/2" only



CN2- / TN2-

CERAMIC			
605004	CN2-4	1/4" Ø	1 1/4"
605005	CN2-5	5/16" Ø	1 1/4"
605006	CN2-7	7/16" Ø	1 1/4"

Flanged end nozzle, straight orifice for G-5 and SH-5 guns

TUNGSTEN CARBIDE			
605007	TN2-4	1/4" Ø	1 1/4"
605008	TN2-5	5/16" Ø	1 1/4"
605009	TN2-7	7/16" Ø	1 1/4"

BORON CARBIDE			
605010	BN2-4	1/4" Ø	1 1/4"
605011	BN2-5	5/16" Ø	1 1/4"
605021	BN2-7	7/16" Ø	1 1/4"

NOZZLES FOR BLAST CABINET – PRESSURE



DC2-F

TUNGSTEN CARBIDE			
605302	DC2-F2	1/8" Ø	1 5/8"
605303	DC2-F3	3/16" Ø	1 5/8"
605304	DC2-F4	1/4" Ø	1 5/8"

Conical type nozzle, straight orifice. Use with fittings NC-1/2", NA-1 and NA-3 (not with RCM-12)

BORON CARBIDE			
605308	BN2-F2	1/8" Ø	1 5/8"
605309	BN2-F3	3/16" Ø	1 5/8"
605310	BN2-F4	1/4" Ø	1 5/8"

Conical type nozzle, straight orifice. Use with fittings NC-1/2", NA-1, NA-3 (not with RCM-12)

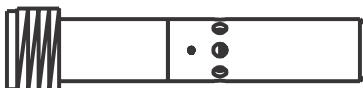


BC1 / DC1

TUNGSTEN CARBIDE			
605358	DC1-2	1/8" Ø	1 3/4"
605359	DC1-3	3/16" Ø	1 3/4"
605360	DC1-4	1/4" Ø	1 3/4"
605361	DC1-5	5/16" Ø	1 3/4"

Threaded nozzle 3/4" – 14 N.P.S., straight orifice, use with fitting NH-1/2" only

BORON CARBIDE			
605414	BC1-2	1/4" Ø	1 3/4"
605415	BC1-3	3/16" Ø	1 3/4"
605416	BC1-4	1/4" Ø	1 3/4"
605417	BC1-5	3/16" Ø	1 3/4"



DOUBLE VENTURI NOZZLE

SILICON CARBIDE			
905464	SCV-4	5/16" Ø	6"
905465	SCV-5	3/8" Ø	6 3/4"
905466	SCV-6	7/16" Ø	8"
905467	SCV-7	1/2" Ø	9 1/4"
905468	SCV-8	1/2" Ø	9 1/4"

Threaded nozzle 1 1/4" N.P.S., 1" Ø entry venturi orifice, use with NCV, all NH- except NH-1/2"

