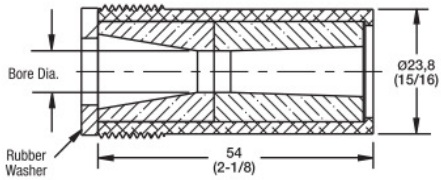

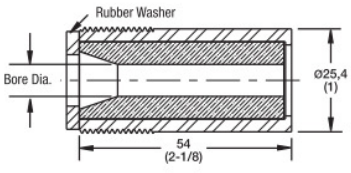

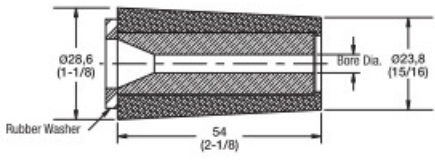



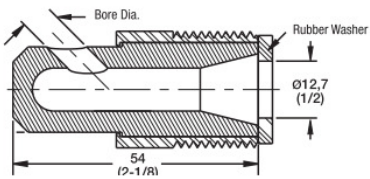
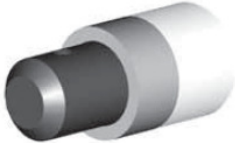


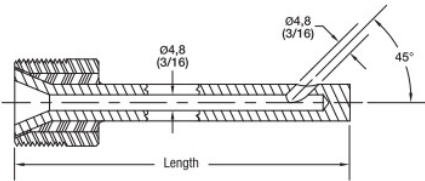

PRESSURE BLAST CABINET NOZZLES

<p>SHORT VENTURI</p> <p><i>Widest possible blast at distances under 12"</i></p>																							
	<p>Thread 3/4" 1 NSPT Steel Jacket Steel Thread</p>	<table border="1"> <thead> <tr> <th>Bore Size</th> <th>Ceramic</th> <th>Tungsten</th> <th>Boron</th> </tr> </thead> <tbody> <tr> <td>3/16"</td> <td>NA</td> <td></td> <td>B3S2-GV</td> </tr> <tr> <td>1/4"</td> <td>NA</td> <td></td> <td>B4S2-GV</td> </tr> <tr> <td>5/16"</td> <td>NA</td> <td></td> <td>B5S2-GV</td> </tr> <tr> <td>3/8"</td> <td>NA</td> <td></td> <td>B6S2-GV</td> </tr> </tbody> </table>	Bore Size	Ceramic	Tungsten	Boron	3/16"	NA		B3S2-GV	1/4"	NA		B4S2-GV	5/16"	NA		B5S2-GV	3/8"	NA		B6S2-GV	
Bore Size	Ceramic	Tungsten	Boron																				
3/16"	NA		B3S2-GV																				
1/4"	NA		B4S2-GV																				
5/16"	NA		B5S2-GV																				
3/8"	NA		B6S2-GV																				

<p>SHORT STRAIGHT BORE</p>																							
	<p>Thread 3/4" 1 NSPT Steel Jacket Steel Thread</p>	<table border="1"> <thead> <tr> <th>Bore Size</th> <th>Ceramic</th> <th>Tungsten</th> <th>Boron</th> </tr> </thead> <tbody> <tr> <td>3/16"</td> <td>NA</td> <td>T106-3</td> <td>B3S2-G</td> </tr> <tr> <td>1/4"</td> <td>NA</td> <td>T106-4</td> <td>B4S2-G</td> </tr> <tr> <td>5/16"</td> <td>NA</td> <td>T106-5</td> <td>B5S2-G</td> </tr> <tr> <td>3/8"</td> <td>NA</td> <td>T106-6</td> <td>B6S2-G</td> </tr> </tbody> </table>	Bore Size	Ceramic	Tungsten	Boron	3/16"	NA	T106-3	B3S2-G	1/4"	NA	T106-4	B4S2-G	5/16"	NA	T106-5	B5S2-G	3/8"	NA	T106-6	B6S2-G	
Bore Size	Ceramic	Tungsten	Boron																				
3/16"	NA	T106-3	B3S2-G																				
1/4"	NA	T106-4	B4S2-G																				
5/16"	NA	T106-5	B5S2-G																				
3/8"	NA	T106-6	B6S2-G																				

<p>TAPERED STRAIGHT BORE</p>																							
	<p>Ceramic 4" long Boron & Tungsten Aluminum Jacket</p>	<table border="1"> <thead> <tr> <th>Bore Size</th> <th>Ceramic</th> <th>Tungsten</th> <th>Boron</th> </tr> </thead> <tbody> <tr> <td>1/8"</td> <td>UDM100005</td> <td>501272</td> <td>502022</td> </tr> <tr> <td>3/16"</td> <td>UDM100015</td> <td>501282</td> <td>502032</td> </tr> <tr> <td>1/4"</td> <td>UDM100020</td> <td>501292</td> <td>502042</td> </tr> <tr> <td>5/16"</td> <td>UDM100025</td> <td>501302</td> <td>B5S2-H</td> </tr> </tbody> </table>	Bore Size	Ceramic	Tungsten	Boron	1/8"	UDM100005	501272	502022	3/16"	UDM100015	501282	502032	1/4"	UDM100020	501292	502042	5/16"	UDM100025	501302	B5S2-H	
Bore Size	Ceramic	Tungsten	Boron																				
1/8"	UDM100005	501272	502022																				
3/16"	UDM100015	501282	502032																				
1/4"	UDM100020	501292	502042																				
5/16"	UDM100025	501302	B5S2-H																				

<p>ANGLE NOZZLE</p> <p><i>Blast ID's and difficult to reach areas</i></p>																							
	<p>Thread 3/4" 14 NSPT Steel Thread Single, double or triple outlet</p>	<table border="1"> <thead> <tr> <th>Bore Size</th> <th>Ceramic</th> <th>Tungsten</th> <th>Boron</th> </tr> </thead> <tbody> <tr> <td>3/16"</td> <td>NA</td> <td>T245-3</td> <td>NA</td> </tr> <tr> <td>1/8" x 1 hole</td> <td>NA</td> <td>T245-2</td> <td>NA</td> </tr> <tr> <td>1/8" x 2 hole</td> <td>NA</td> <td>T245-22</td> <td>NA</td> </tr> <tr> <td>1/8" x 3 hole</td> <td>NA</td> <td>T245-23</td> <td>NA</td> </tr> </tbody> </table>	Bore Size	Ceramic	Tungsten	Boron	3/16"	NA	T245-3	NA	1/8" x 1 hole	NA	T245-2	NA	1/8" x 2 hole	NA	T245-22	NA	1/8" x 3 hole	NA	T245-23	NA	
Bore Size	Ceramic	Tungsten	Boron																				
3/16"	NA	T245-3	NA																				
1/8" x 1 hole	NA	T245-2	NA																				
1/8" x 2 hole	NA	T245-22	NA																				
1/8" x 3 hole	NA	T245-23	NA																				

<p>HOZZLE ANGLE NOZZLE</p> <p><i>Blast ID's and difficult to reach areas</i></p>																			
	<p>Thread 3/4" 14 NSPT 7/16" OD Insert Steel Thread</p>	<table border="1"> <thead> <tr> <th>Bore Size</th> <th>Ceramic</th> <th>Tungsten</th> <th>Boron</th> </tr> </thead> <tbody> <tr> <td>3/16" x 4" long</td> <td>NA</td> <td>B2008477</td> <td>NA</td> </tr> <tr> <td>3/16" x 8" long</td> <td>NA</td> <td>B2008479</td> <td>NA</td> </tr> <tr> <td>3/16" x 10" long</td> <td>NA</td> <td>B1900007</td> <td>NA</td> </tr> </tbody> </table>	Bore Size	Ceramic	Tungsten	Boron	3/16" x 4" long	NA	B2008477	NA	3/16" x 8" long	NA	B2008479	NA	3/16" x 10" long	NA	B1900007	NA	
Bore Size	Ceramic	Tungsten	Boron																
3/16" x 4" long	NA	B2008477	NA																
3/16" x 8" long	NA	B2008479	NA																
3/16" x 10" long	NA	B1900007	NA																



<p>ANGLE NOZZLE</p> <p><i>Blast ID's and difficult to reach areas</i></p>				
<p>Thread 3/8" 18 NPSM Steel Thread Single, double or triple outlet</p>	<p>Bore Size</p>	<p>Ceramic</p>	<p>Tungsten</p>	<p>Boron</p>
	<p>3/16"</p>	<p>NA</p>	<p>T145-3</p>	<p>NA</p>
	<p>1/8" x 2 hole</p>	<p>NA</p>	<p>T145-22</p>	<p>NA</p>
	<p>1/8" x 3 hole</p>	<p>NA</p>	<p>T145-23</p>	<p>NA</p>
	<p>1/8" x 4 hole</p>	<p>NA</p>	<p>T145-24</p>	<p>NA</p>

SUCTION BLAST CABINET NOZZLES

<p>Manufactured for;</p> <p><i>Empire Canablast</i></p>				
	<p>Bore Size</p>	<p>Ceramic</p>	<p>Tungsten</p>	<p>Boron</p>
	<p>1/4"</p>	<p>505421</p>	<p>501331</p>	<p>502071</p>
	<p>5/16"</p>	<p>502431</p>	<p>501341</p>	<p>502081</p>
	<p>7/16"</p>	<p>502441</p>	<p>501351</p>	<p>502091</p>

<p>Manufactured for;</p> <p><i>BNP Zero Modublast Blast-It-All</i></p>				
	<p>Bore Size</p>	<p>Ceramic</p>	<p>Tungsten</p>	<p>Boron</p>
	<p>1/4"</p>	<p>CL166-4</p>	<p>TL166-4</p>	<p>B4S-87</p>
	<p>5/16"</p>	<p>UFO100237</p>	<p>TL166-5</p>	<p>UFO100240</p>
	<p>3/8"</p>	<p>UFO100236</p>	<p>TL166-6</p>	<p>B6S-87</p>

<p>Manufactured for;</p> <p><i>Trinco Econoline</i></p>				
	<p>Bore Size</p>	<p>Ceramic</p>	<p>Tungsten</p>	<p>Boron</p>
	<p>1/4" x 9/16" OD</p>	<p>NA</p>	<p>TL171-4</p>	<p>B4S-60</p>
	<p>5/16" x 3/4" OD</p>	<p>NA</p>	<p>TL172-5</p>	<p>B5L-75</p>
	<p>7/16" x 3/4" OD</p>	<p>NA</p>	<p>TL172-7</p>	<p>B6L-75</p>

<p>Manufactured for;</p> <p><i>Empire Canablast</i></p>				
	<p>Bore Size</p>	<p>Ceramic</p>	<p>Tungsten</p>	<p>Boron</p>
	<p>1/4"</p>	<p>502661</p>	<p>501311</p>	<p>502101</p>
	<p>5/16"</p>	<p>502701</p>	<p>501321</p>	<p>B5S-87</p>



***INTERNATIONAL
SURFACE PREPARATION***

5125 Timberlea Blvd
Mississauga, Ontario L4W 2S3
866-669-6643
Email: sales@ispcltd.com